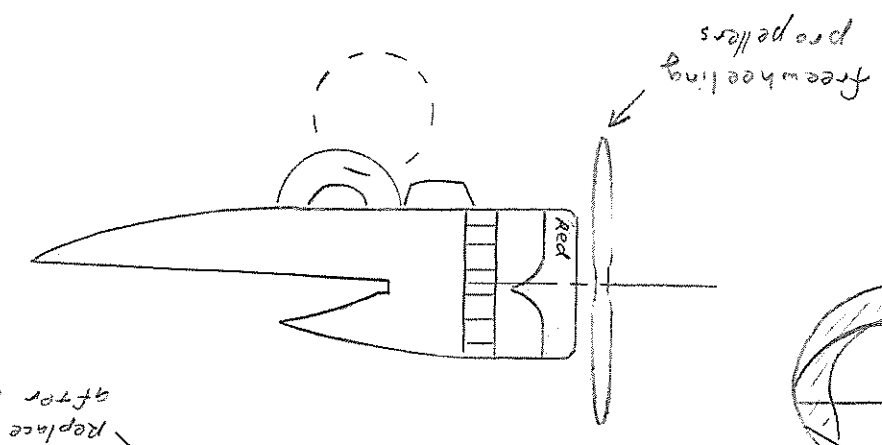
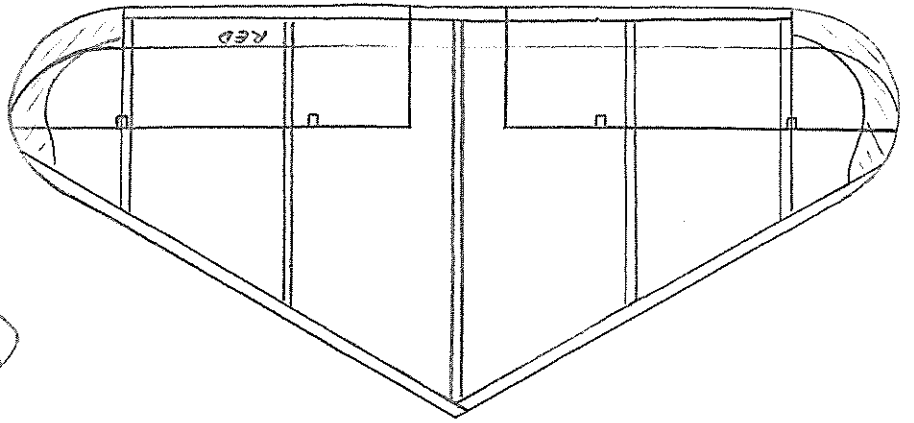
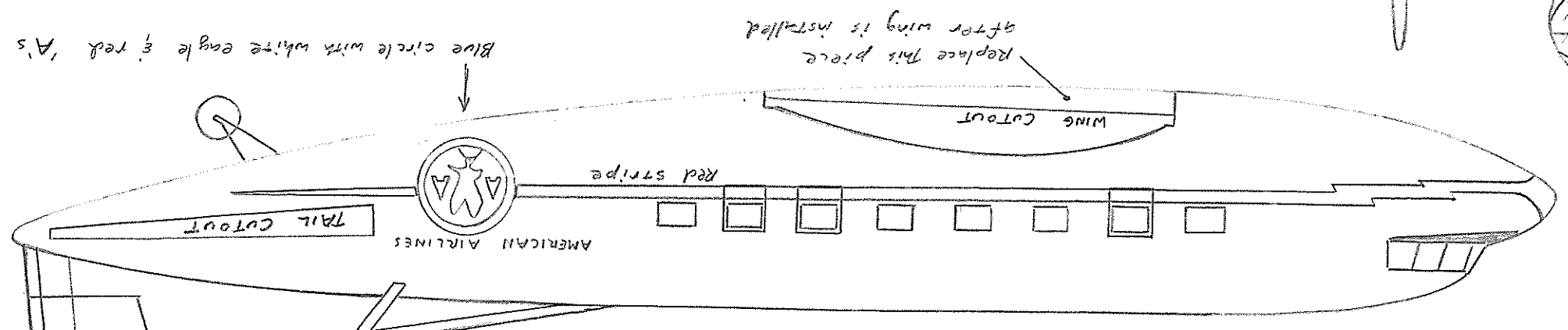


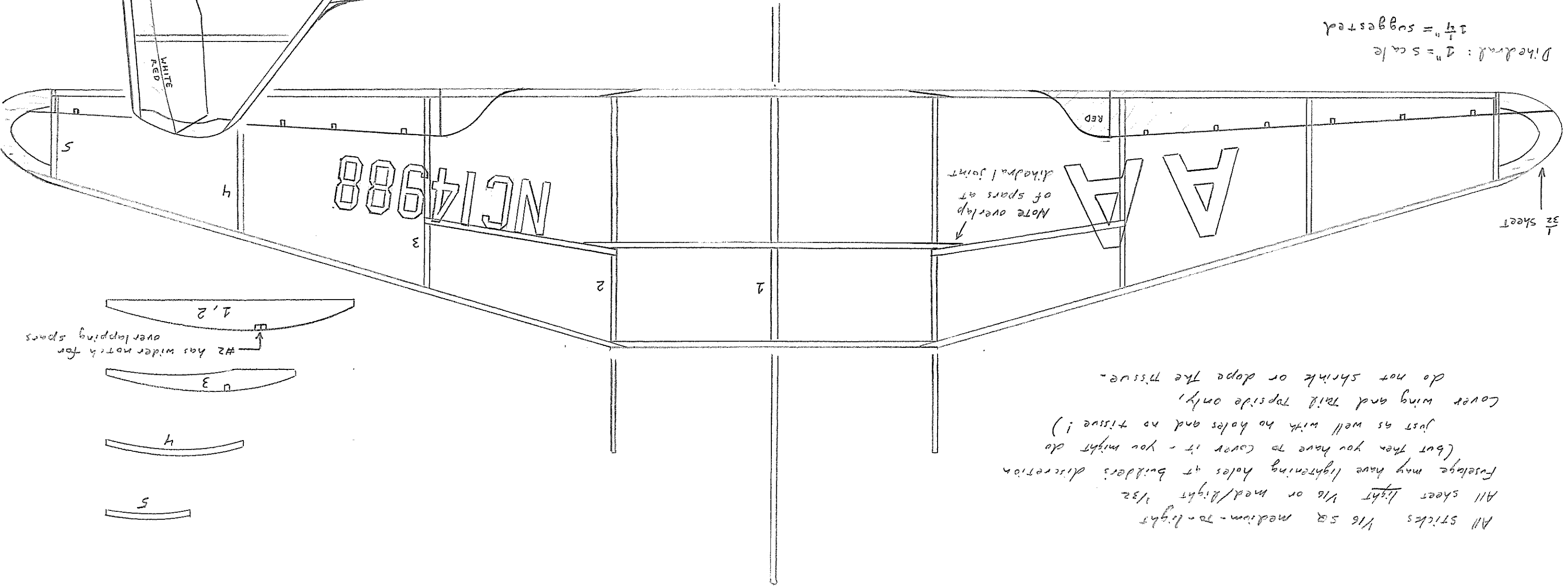
Reference: Kenneth Munson,
Airliners Between The Wars
 MacMillan, NY, 1972.



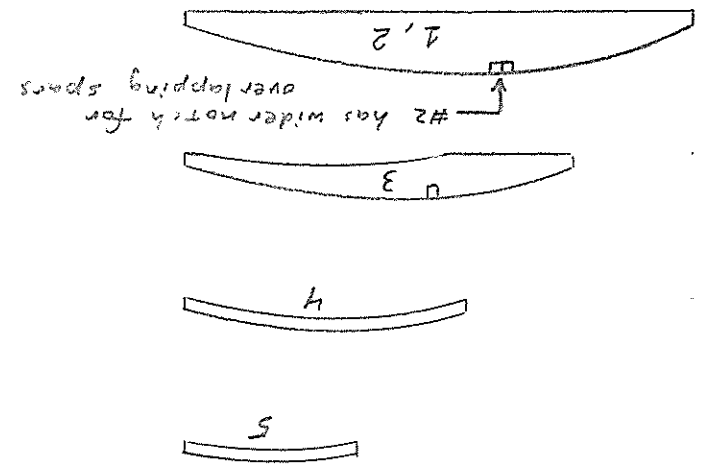
Douglas DC-3
 Indoor Slope Glider
 Designed by David Arnstein
 Nov. 2007
 for Chuck Powell, a pilot,
 jumper, modeler, and friend.



Dihedral: 1" = 5 cal
 1 1/4" = suggested



All sticks 1/16 SA medium-to-light
 All sheet light 1/16 or med/light 1/32
 Fuselage may have lightning holes at builder's discretion
 (but then you have to cover it - you might do
 just as well with no holes and no tissue!)
 Cover wing and tail topside only,
 do not shrink or dope the tissue.



Blue circle with white eagle & red 'A's